

The photograph may not match the reference exactly. Please read the product description to identify the finish.

TECHNICAL CHARACTERISTICS



Product Model:	M-05LED25-12
IP Protection degrees:	IP68
IK Protection degrees:	IK10
Light source:	12 x LED SAMSUNG 3535
Total power consumption:	25W
Luminous Flux:	2250-2500Lm
Luminous efficiency:	90-100Lm/w
Color temperature:	4000K as standard.Optinal 2700K,3000K & 5700K. Amber LED available
Voltage/Frequency:	100-240V/50-60Hz
Warranty(Years):	5
Units per box:	1
Net Weight(Kg)	2.3

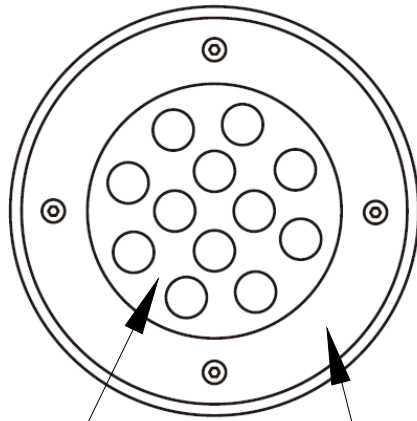
MATERIALS / FINISHES

Structure material: High purity aluminium	Aiffuser material: Steel 304
Structure finish: Silver	Diffuser finish: Transparent

GEAR

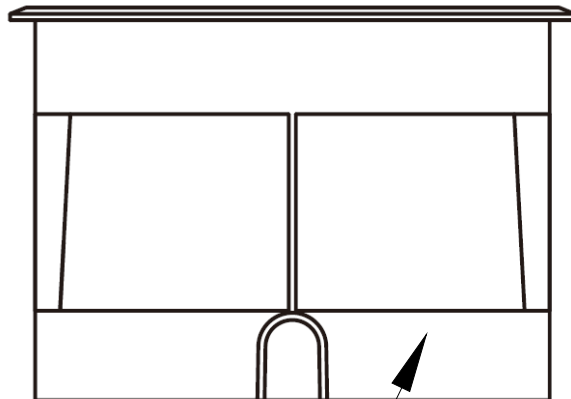
Multi-voltage electronic gear included (100-240 V / 50-60 Hz)

Lm^(N): Nominal flow of light in actual working conditions. Its actual flow will depend on the environmental conditions and the efficiency of the optics and/or diffuser.



Transparent glass

Stainless Steel 304



Plastic material

Installation template